



## TRIPLE TREE INSTALLATION INSTRUCTIONS

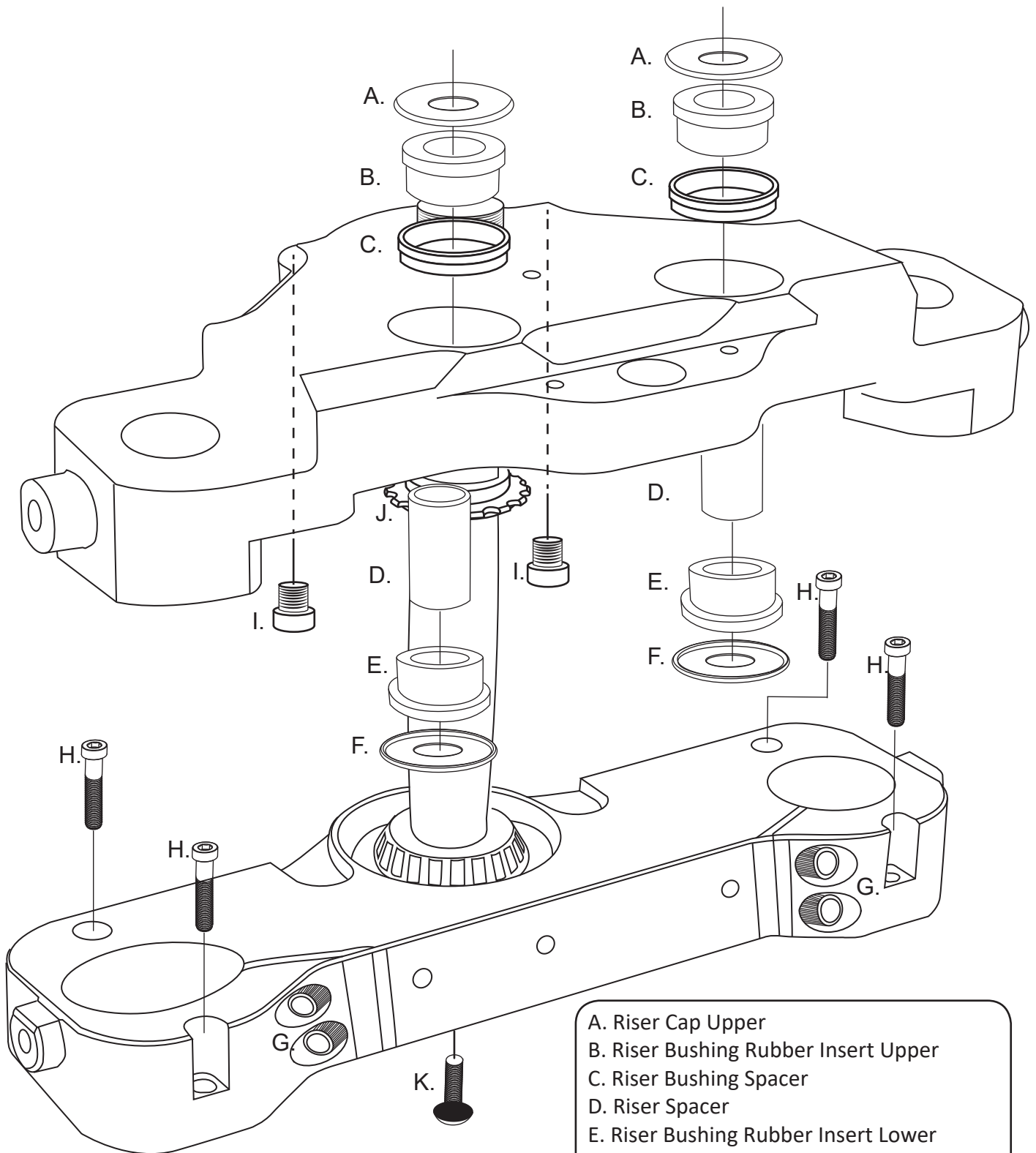
FLT/FLH & Roadking 7° 41mm

*This product is designed for use on a trike or a bike with a sidecar. Please read instructions fully before starting installation. Refer to your bikes service manual. Warning - Front end performance is a critical safety item. Triple trees should be installed by a qualified service technician.*

1. After the trike rear end is installed. Put the bike in gear and place a block of wood behind the rear wheels. Jack the front of the trike up enough to get the wheel off of the ground. Remove the front calipers. Hang off to the side. Do not remove the brake line from the caliper.
2. Place a heavy blanket over the gas tank as the handle bars will be placed on the gas tank.
3. Remove the front wheel, front fender and faring. Remove handlebars and place on the blanket. Remove the front and rear fork covers, fork tube assemblies.
4. Remove the triple tree.
5. Remove the plastic from around the bearing on the new triple tree. Clean and repack the stock upper bearing with grease or replace is necessary.
6. Install lower triple tree in neck, install the jam nut (J.) on the triple tree stem. Tighten the jam nut. The neck bearings need to have more pre-load as a trike. Make sure that the triple tree will turn. If the triple tree will not turn loosen the jam nut (J.) a little.
7. For 2009 and later models it will be necessary to install the two supplied 3/8" - 16 x 1/2" Allen bolts (I.) in the top triple tree. These act as the fork stop.
8. Install the top triple tree on stem, use the stock triple tree top nut. Do not tighten at this time.
9. Reinstall lower fork covers/slider cover.
10. Install fork tube assemblies, install top fork tube bolts. Tight top fork tube bolts.
11. Tighten top triple tree nut.
12. Secure fork tubes by tightening 4 Pinch Bolts (G.) Torque to 228 in. lbs.
13. Install front fender, front wheel and caliper. Relocate the front brake line tee, mounting it to the bottom of of the neck stem using the supplied 1/4" - 20 x 3/4" Hex Bolt (H.).
14. Reinstall covers, faring and other remaining components.



Installation of raked triple tree may change the position of the headlight mount, please check an adjust headlight beam to safe angle.



- A. Riser Cap Upper
- B. Riser Bushing Rubber Insert Upper
- C. Riser Bushing Spacer
- D. Riser Spacer
- E. Riser Bushing Rubber Insert Lower
- F. Riser Cap Lower
- G. 4-5/16"-18 x 1 1/4" Pinch Bolts
- H. 1/4-20" X 1 1/2" Allen Bolt
- I. Fork Stop 3/8" - 16 1/2"
- J. Jam Nut
- K. Button Head Allen for Brake Line T